

IMPACTV



- LED
- IP20
- MH/SON
EQUIVALENT
- 5
YEAR
WARRANTY

The Impact V is a versatile LED lowbay fitting with high efficiency and range of light outputs. Our new model is more efficient and cost effective.

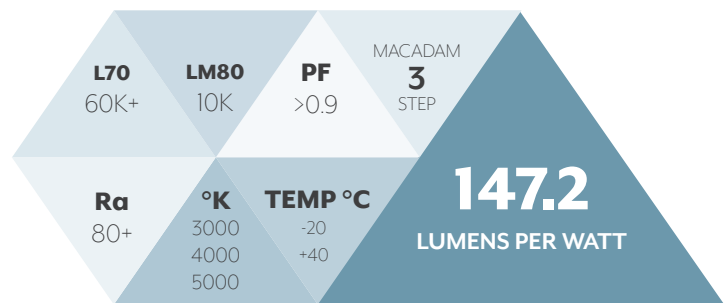
FEATURES

- 9,245 to 27,825 lumen outputs
- 3K, 4K or 5K LEDs
- Integral emergency options
- LED acrylic diffuser
- IP54 & IP65 versions available
- Universal mounting bracket for surface and conduit mounting available

TECHNICAL DETAIL

Part Number	Description	Replaces	Weight (kg)	No. Per 10A Breaker	Inrush Current (A)	Circuit Watts (W)	Board Lumens	Luminaire Lumens	LI/cW
IMPACT-V-72-LED-4K	72W LED Lowbay	150W SON/MH	4.80	6	50A 200µs	72	10272	9245	128.4
IMPACT-V-108-LED-4K	108W LED Lowbay	250W SON/MH	5.30	7	59A 176µs	108	15409	13868	128.4
IMPACT-V-144-LED-4K	144W LED Lowbay	250W/400 SON/MH	5.70	7	59A 176µs	144	20611	18550	128.8
IMPACT-V-180-LED-4K	180W LED Lowbay	400W SON	5.80	7	59A 176µs	180	25764	23187	128.8
IMPACT-V-210-LED-4K	210W LED Lowbay	600W MH	6.10	3	108A 176µs	210	30916	27825	132.5

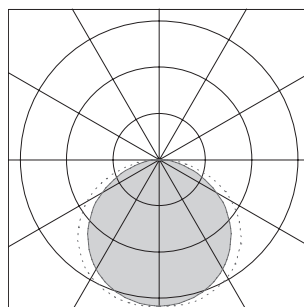
LED CHARACTERISTICS



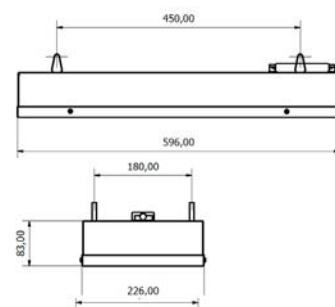
OPTIONS AND ACCESSORIES

- EM** Integral Emergency (4W)
- EMST** Integral Emergency Self Test (4W)
- CF** Corridor Function
- MWH** Programmable MW Sensor (12m)
- DD** SwitchDIM/DALI
- PIR** Microwave Sensor (up to 12m)
- PIRW** Long Range PIR for wireless system
- WL** Wireless Control System
- IP65** IP65 version
- 3K** 3000K Colour Temperature
- 5K** 5000K Colour Temperature
- SURF-BKT** Surface/Trunking Mounting Bracket

PHOTOMETRIC

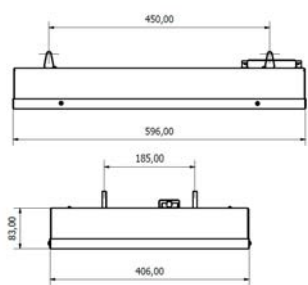
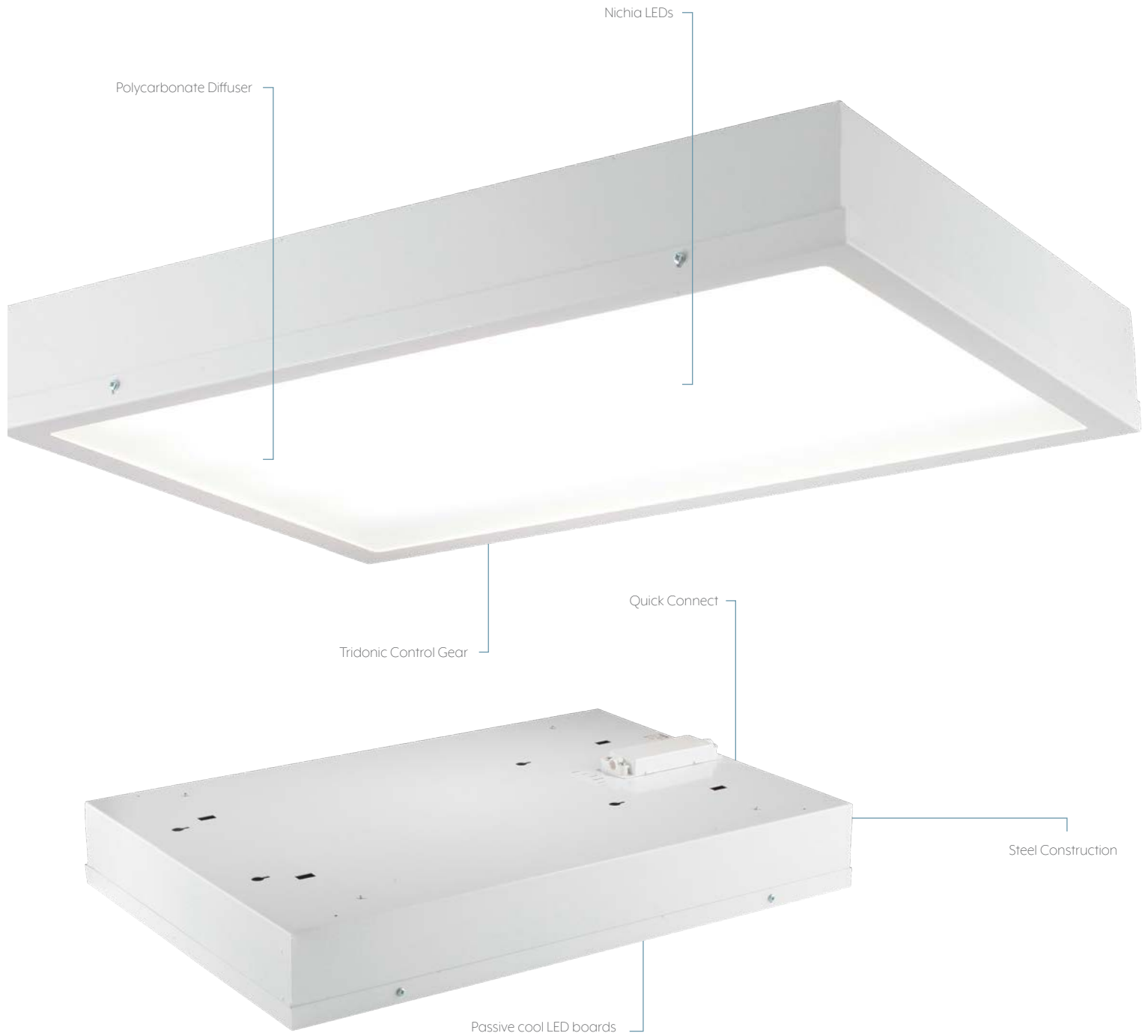


DIMENSIONS

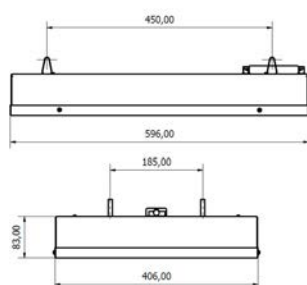


72W

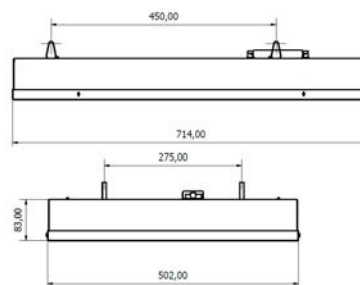
IMPACTV KEY FEATURES



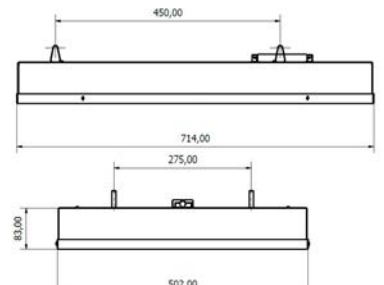
108W



144W



180W



210W