

HYGROW LED

Our HygrowLED horticultural fitting has a modular design to make it easy to scale to production.



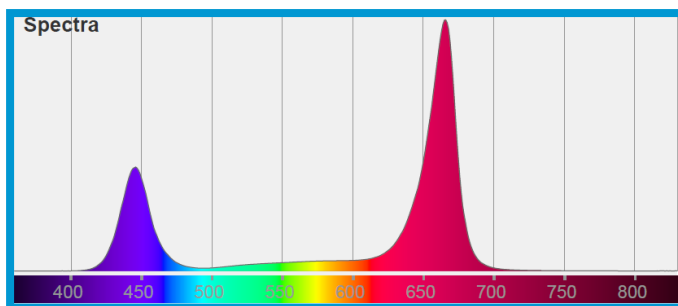
FEATURES

- IP65 welded aluminium body
- Integral passive thermal control
- Osram oslon LEDs
- Range of spectral outputs including custom blends
- Up to 1200 micromoles - 3.03 $\mu\text{mol}/\text{j}$
- Supplemental and sole source options

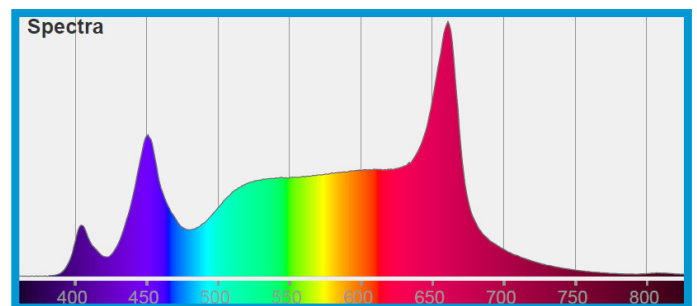


TECHNICAL DETAILS

Part Number	Description	Weight (kg)	No. Per 10A Breaker	Inrush Current (A)	Circuit Watts	μmol
HY160P	160W Hygrow Professional	3.5	20	5A 37 μs	160	378
HY320P	320W Hygrow Professional	4.7	13	5A 37 μs	320	757
HY400P	400W Hygrow Professional	6.2	6	10A 37 μs	400	946

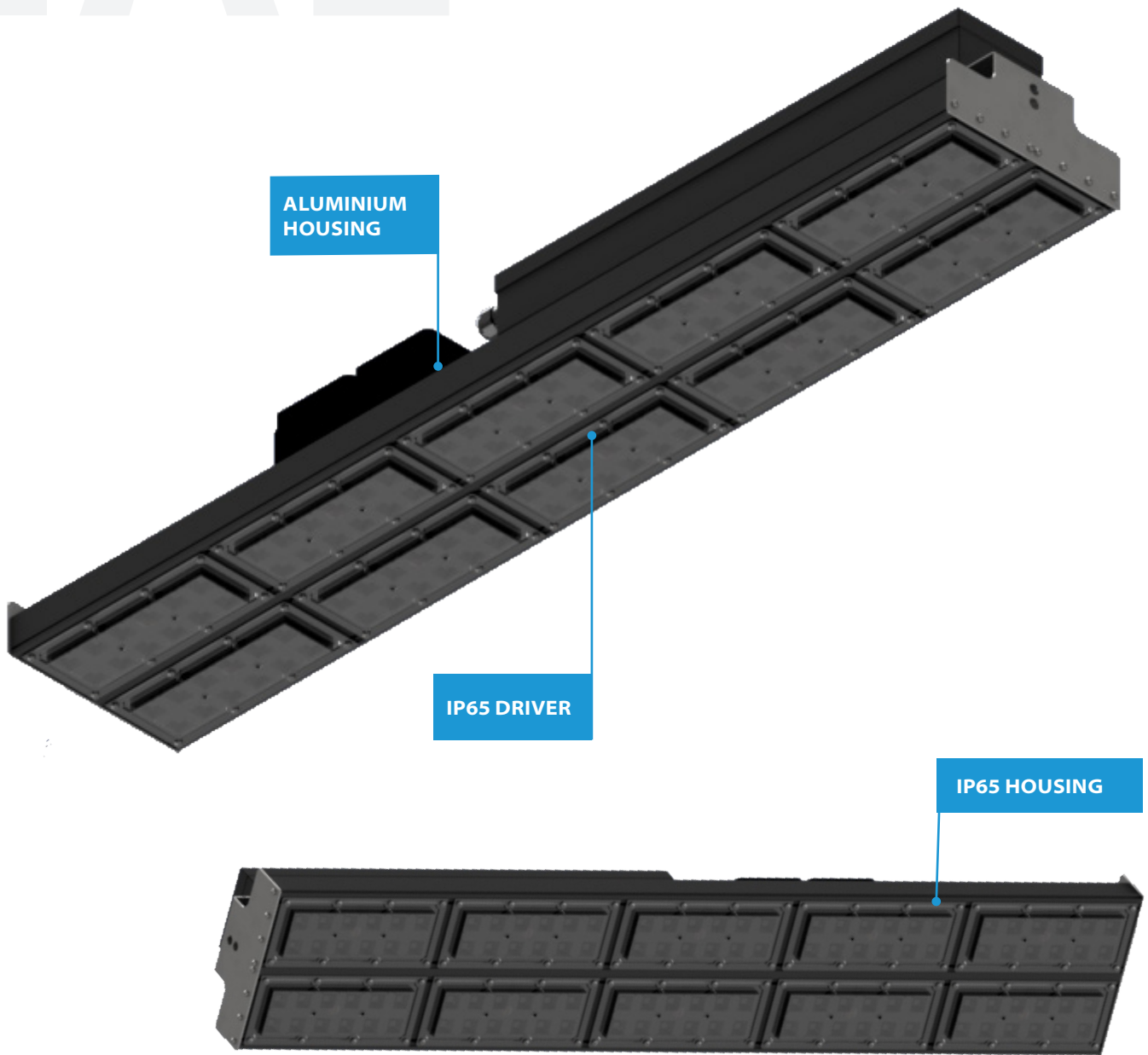


Hygrow HE



Hygrow Solar

KEY FEATURES



OPTIONS AND ACCESSORIES

- EMST** Integral Emergency Self Test (4W)
- SUS1** Hanging Kit
- DD** Dimming Control Gear
- LDR** Daylight Linking Control
- WL** Wireless Data Control
- SP** Spectral Tuning

PHOTOMETRIC AND DIMENSION

